

LEGEND AND SYMBOL	QTY.
	RACK 01
	DOME CAMERA 02
	BULLET CAMERA 03
	NVR 01
	PoE 01

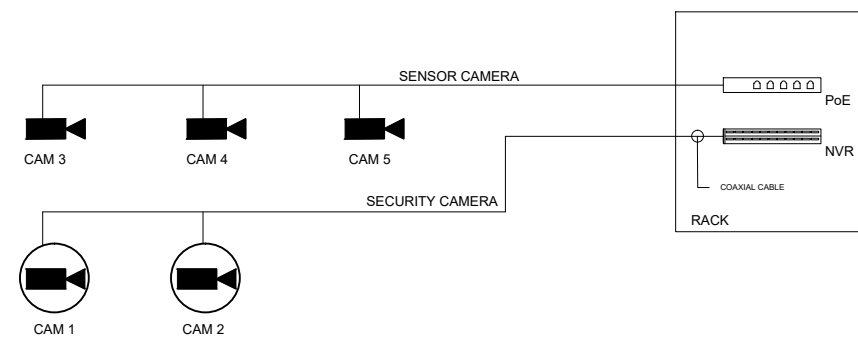
A CCTVT SYSTEM GENERAL LAYOUT
EE-01 SCALE 1 : 20 M.

LEGEND AND SYMBOL	QTY.
	RACK
	INTERACTIVE BOARD

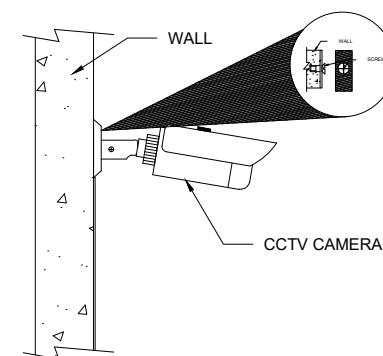
B INTERACTIVE BOARD GENERAL LAYOUT
EE-01 SCALE 1 : 20 M.

LEGEND AND SYMBOL	QTY.
	RACK
	WiFi
	SMOKE DETECTOR (BATTERY TYPE)
	DOOR LOCK

C WIFI, FDAS, DOOR LOCK SYSTEM GENERAL LAYOUT
EE-01 SCALE 1 : 20 M.

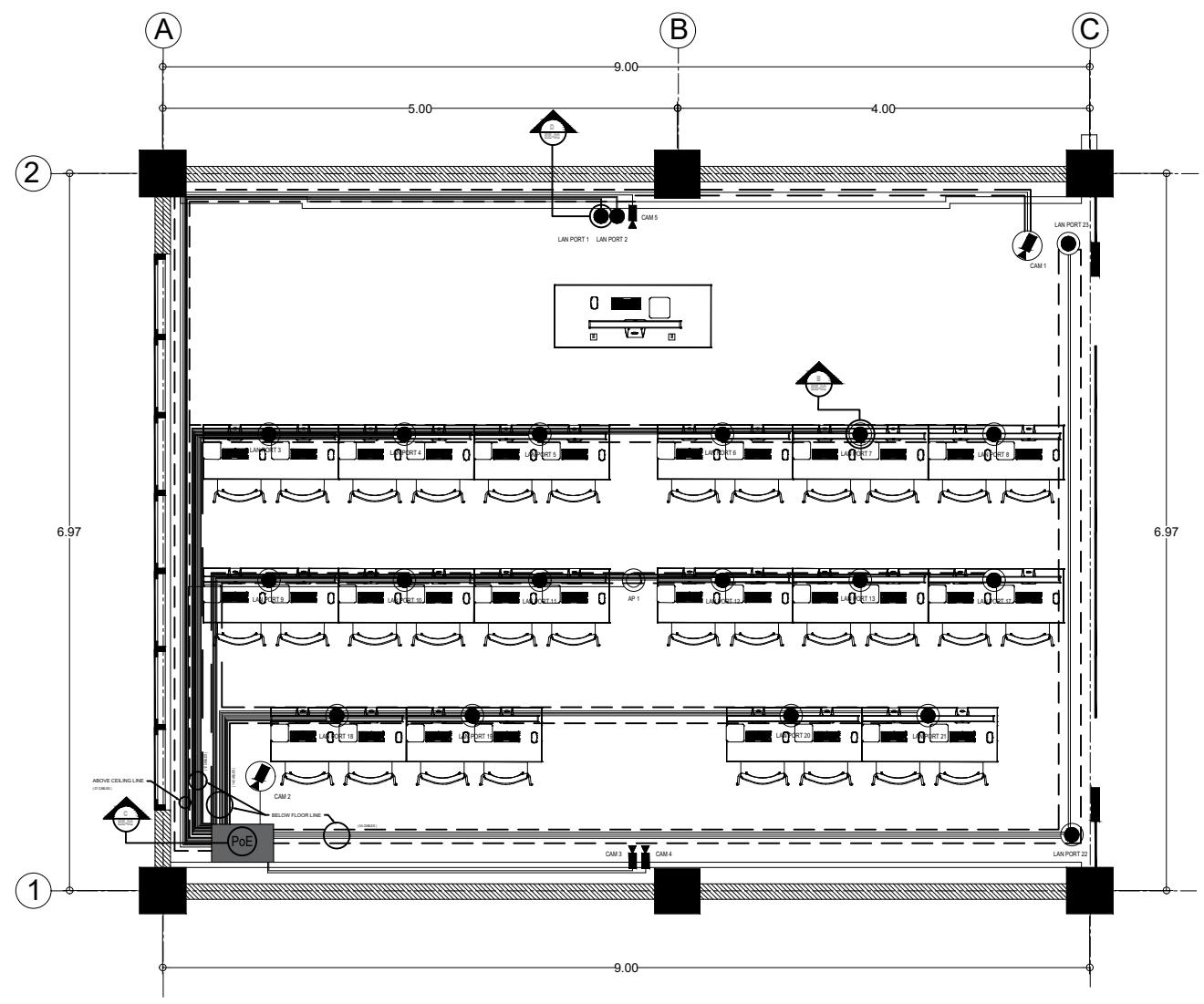


C CCTVT SCHEMATIC DIAGRAM
EE-01 SCALE NTS.



D CCTVT MOUNTING DETAIL
EE-01 SCALE NTS.

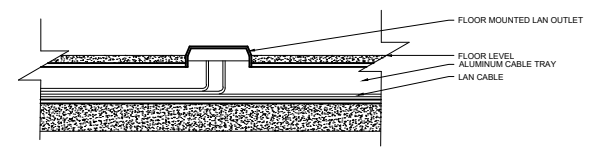
<p>SOUTHERN LEYTE STATE UNIVERSITY</p> <p>MAIN CAMPUS San Roque, Tagud, Southern Leyte Contact No. 0998-868-5234 Email: principal@slsu.edu.ph Website: www.slsu.edu.ph</p> <p>STARS RATING SYSTEM</p> <p>SECOPAC</p>	PREPARED BY : EDICARDO C. PONTOD, GJT DRAFTSMAN MARJORIE G. ELEKORDE, GJT DRAFTSMAN HAZEL G. OBORDO, GJT DRAFTSMAN MARK A. UYPALA, GJT DRAFTSMAN BYRON A. ENGASTON, GJT DRAFTSMAN	REVIEWED BY : ENGR. RYAN A. MACUTO, GREEN ADP+AA, LUDIP Head Designate AR. JEAMES PAUL EVANGELISTA, UAP ARCHITECT I	PROJECT : RENOVATION AND RECONFIGURATION OF COMPUTER LABORATORY ROOM IN CCSIT BUILDING WITH PROVISIONS FOR SMART CLASSROOM	OWNER : SOUTHERN LEYTE STATE UNIVERSITY	APPROVED AS PER PLAN : JUDE A. DUARTE, DPA, UNIVERSITY PRESIDENT	SHEET CONTENT AS SHOWN	SHEET NO. EE-01
	LOCATION: SLSU-MAIN CAMPUS, SAN ROQUE, SOGOD SOUTHERN LEYTE			ADDRESS: SOGOD, SOUTHERN LEYTE		CHECKED : DRAWN : APPROVED : DATE :	SCALE AS SHOWN @ 20x30



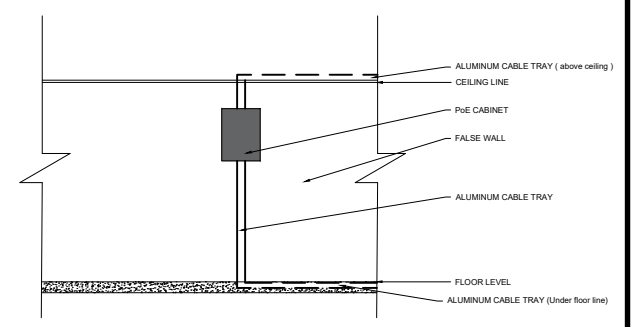
A CCSIT PoE CABLING LAYOUT PLAN
 EE-02 SCALE 1 : 20 M.

LEGENDS:

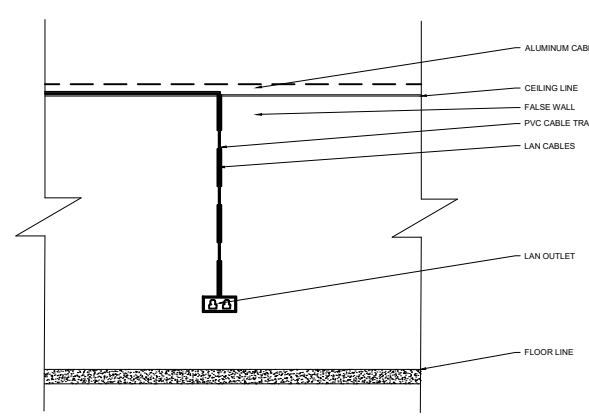
- | | | | | | | | |
|----------------------------|----|---------------------------------|------|------------------------|-----|--------|----|
| ● LAN OUTLET | 02 | 📹 CCTV DOME CAMERA | 02 | ══ ALUMINUM CABLE TRAY | 58m | ══ NVR | 01 |
| ● FLOOR MOUNTED LAN OUTLET | 18 | 📹 ACCESS POINT | 01 | ══ PVC CABLE TRAY | 29m | | |
| 📹 CCTV CAMERA | 03 | — LAN OUTLET CABLES | 463m | ■ PoE CABINET | 01 | | |
| — CCTV CABLE | M | — FLOOR MOUNT LAN OUTLET CABLES | M | □ PoE | 02 | | |



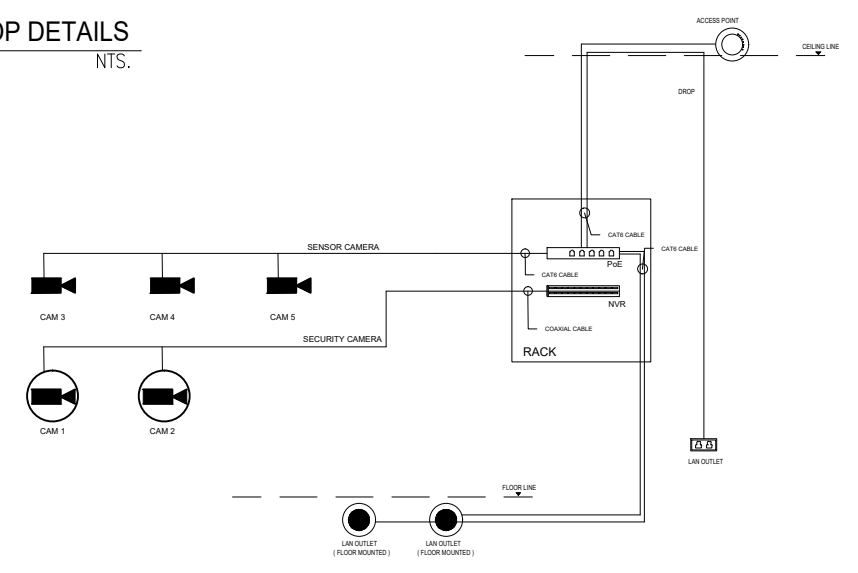
B FLOOR MOUNTED LAN OUTLET DETAILS
 EE-02 SCALE NTS.



C PoE CABINET, CABLE TRAY DETAIL
 EE-02 SCALE NTS.



D CABLE DROP DETAILS
 EE-02 SCALE NTS.



E SCHEMATIC DIAGRAM
 EE-02 SCALE NTS.



PREPARED BY:
 EDUARDO C. PONTOD, DIT DRAFTSMAN
 MARJORIE G. ELEJORDE, DIT DRAFTSMAN
 HAZEL G. OBORDO, DIT DRAFTSMAN
 MARK A. UYPALA, DIT DRAFTSMAN
 BYRON A. ENGASTON, DIT DRAFTSMAN

REVIEWED BY:
 ENGR. RYAN A. MACUTO, GREEN ADP+AA, LUDIP Head Designate
 AR. JEAMES PAUL EVANGELISTA, UAP ARCHITECT I

PROJECT:
 RENOVATION AND RECONFIGURATION OF COMPUTER LABORATORY ROOM IN CCSIT BUILDING WITH PROVISIONS FOR SMART CLASSROOM

LOCATION: SLSU-MAIN CAMPUS, SAN ROQUE, SOGOD SOUTHERN LEYTE

OWNER:
 SOUTHERN LEYTE STATE UNIVERSITY

ADDRESS: SOGOD, SOUTHERN LEYTE

APPROVED AS PER PLAN:
 JUDE A. DUARTE, DPA, UNIVERSITY PRESIDENT

SHEET CONTENT:
 AS SHOWN

CHECKED: _____
DRAWN: _____
APPROVED: _____
DATE: _____

SCALE:
 AS SHOWN @ 20x30

SHEET NO.: EE-02
PROJ. NO.: _____